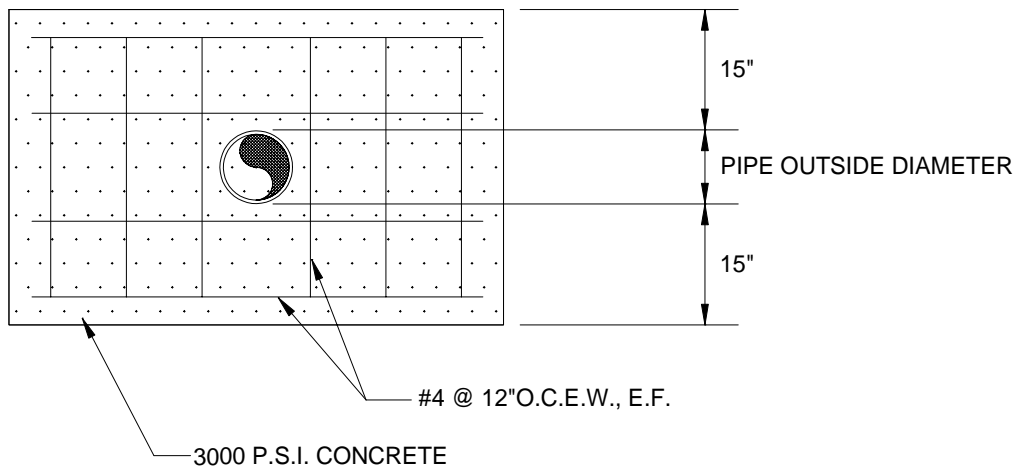


PLAN



ELEVATION

NOTE: ABOVE 150 PSI ALL FITTINGS SHALL HAVE MEGA-LUG RETAINER GLANDS UNLESS OTHERWISE SPECIFIED

TYPICAL DEADMAN DETAIL